

138-3120 ALTO® 1.28

MANSFIELD®

Elongated Front, Vitreous China, Two-Piece Toilet

FEATURES

- 3-bolt SmartFasten™ tank-to-bowl connection
- 1.28 gpf / 4.8 lpf high efficiency water consumption
- Uses 20% less water than conventional toilets
- Elongated front bowl
- 3-2" hybrid flapper flush valve
- Fluidmaster® anti-siphon pilot fill valve
- 10" rough-in
- Model 31 chrome-plated, plastic trip lever
- 2" glazed trapway
- The Mansfield® Limited Lifetime Warranty
- Available in White





MODEL 138-3120

Toilet seat not included



ELONGATED

COMPONENTS

MODEL #	DESCRIPTION	CODES/STANDARDS
138-3120	Elongated front, two-piece toilet	 
138	Elongated front, toilet bowl only. Less toilet seat. Specify color.	
3120	Tank and cover only with left hand, front-mount, chrome-plated, plastic trip lever. Fluidmaster® anti-siphon pilot fill valve. Less supply.	
TANK TRIM & REPLACEMENT PARTS		
31	Trip lever - chrome-plated, plastic trip lever, left hand	
228	3-2" Hybrid flapper flush valve	
400A	Fluidmaster® anti-siphon pilot fill valve	
2206	Anti-siphon pilot fill valve (compatible replacement)	
630-0207	3" Replacement flapper kit	
160-LID	Tank lid	



138-3120 ALTO[®] 1.28



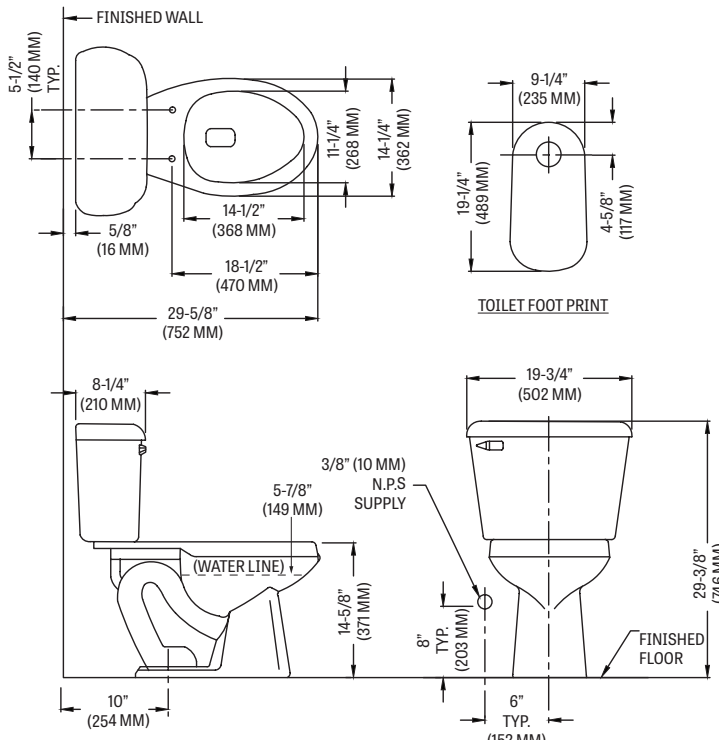
Elongated Front, Vitreous China, Two-Piece Toilet

SPECIFICATIONS

MODEL #	DESCRIPTION	CODES/STANDARDS
138-3120	Elongated front (1.28 gpf / 4.8 lpf) two-piece toilet	 

MATERIAL	Vitreous China
WATER PRESSURE RANGE	20 to 80 PSI
FLUSH SYSTEM	3-2" Hybrid flapper flush valve
WATER USAGE	1.28 gpf / 4.8 lpf
WATER SURFACE AREA	9' X 10'
ROUGH-IN	10'
MAP RATING	800 grams

TRAP DIAMETER	2'
TRAP SEAL	2-1/2'
SHIPPING WEIGHT	Model 138 - 52 lbs. (23 kg) Model 3120 - 34 lbs. (15 kg)
WARRANTY	Vitreous China - Limited Lifetime Tank Trim - Limited One Year

TANK OPTIONS	TECHNICAL INFORMATION										
	Note: these dimensions are nominal and subject to change without notice.										
<table border="1"> <tbody> <tr> <td>3173</td> <td>Standard 1.28 gpf configuration: 3-2" hybrid flapper flush valve, Fluidmaster[®] anti-siphon pilot fill valve, left hand, color-match trip lever.</td> </tr> <tr> <td>3173RH</td> <td>Variation of model 3173, with right hand, color-match trip lever.</td> </tr> <tr> <td>3165</td> <td>Variation of model 3173, with cover lock.</td> </tr> <tr> <td>3174</td> <td>Variation of model 3173, with tank liner.</td> </tr> <tr> <td>3120</td> <td>Variation of model 3173, with left hand, chrome trip lever.</td> </tr> </tbody> </table>	3173	Standard 1.28 gpf configuration: 3-2" hybrid flapper flush valve, Fluidmaster [®] anti-siphon pilot fill valve, left hand, color-match trip lever.	3173RH	Variation of model 3173, with right hand, color-match trip lever.	3165	Variation of model 3173, with cover lock.	3174	Variation of model 3173, with tank liner.	3120	Variation of model 3173, with left hand, chrome trip lever.	 <p>The technical drawing includes the following dimensions:</p> <ul style="list-style-type: none"> FINISHED WALL to the center of the bowl: 5-1/2" (140 MM) TYP. FINISHED WALL to the center of the tank: 29-5/8" (752 MM) FINISHED WALL to the center of the toilet base: 10" (254 MM) FINISHED WALL to the center of the toilet base (alternative): 8-1/4" (210 MM) FINISHED WALL to the center of the toilet base (alternative): 6" TYP. (152 MM) FINISHED WALL to the center of the toilet base (alternative): 8" TYP. (203 MM) FINISHED WALL to the center of the toilet base (alternative): 14-5/8" (371 MM) FINISHED WALL to the center of the toilet base (alternative): 5-7/8" (149 MM) FINISHED WALL to the center of the toilet base (alternative): 3/8" (10 MM) N.P.S SUPPLY FINISHED WALL to the center of the toilet base (alternative): 18-1/2" (470 MM) FINISHED WALL to the center of the toilet base (alternative): 14-1/2" (368 MM) FINISHED WALL to the center of the toilet base (alternative): 11-1/4" (288 MM) FINISHED WALL to the center of the toilet base (alternative): 14-1/4" (362 MM) FINISHED WALL to the center of the toilet base (alternative): 9-1/4" (235 MM) FINISHED WALL to the center of the toilet base (alternative): 19-1/4" (489 MM) FINISHED WALL to the center of the toilet base (alternative): 4-5/8" (117 MM) FINISHED WALL to the center of the toilet base (alternative): 19-3/4" (502 MM) FINISHED WALL to the center of the toilet base (alternative): 29-3/8" (746 MM)
3173	Standard 1.28 gpf configuration: 3-2" hybrid flapper flush valve, Fluidmaster [®] anti-siphon pilot fill valve, left hand, color-match trip lever.										
3173RH	Variation of model 3173, with right hand, color-match trip lever.										
3165	Variation of model 3173, with cover lock.										
3174	Variation of model 3173, with tank liner.										
3120	Variation of model 3173, with left hand, chrome trip lever.										

Fixture performance and specifications meet or exceed ASME A112.19.2/CSA B45.1 standards, and other state and local codes.

